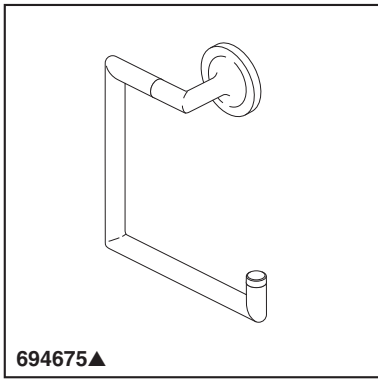


BRIZO®

ACCESSORIES

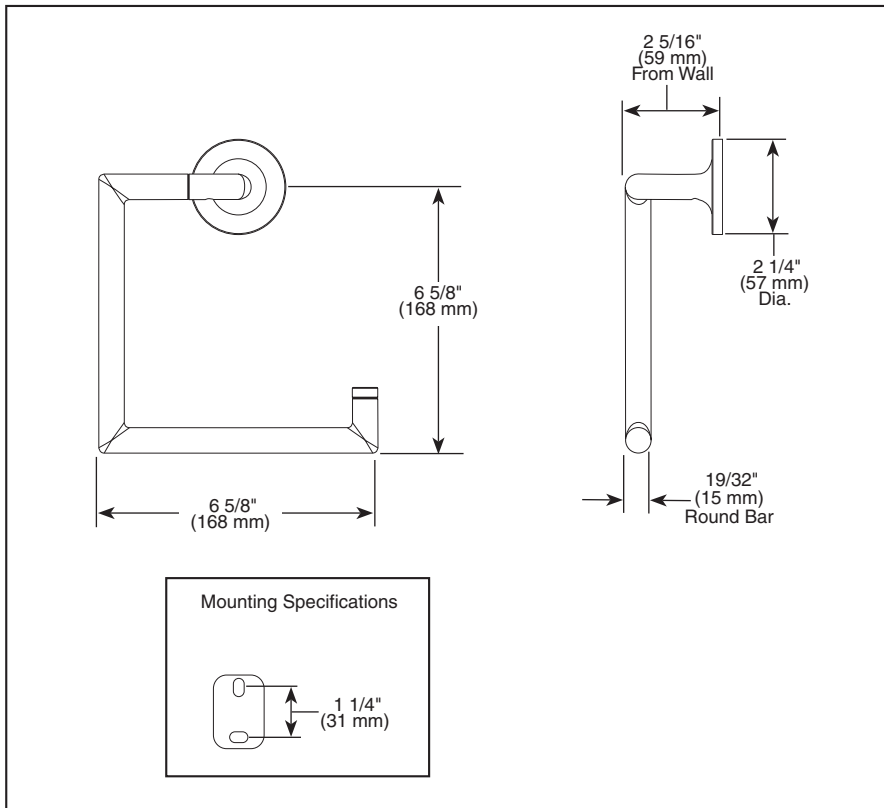
- Odin™ Bath Collection
- Towel Ring



694675▲

Submitted Model No.: _____

Specific Features: _____



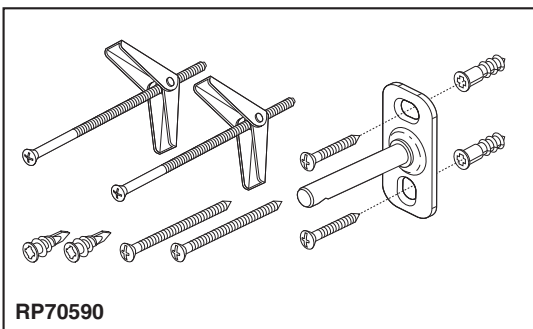
STANDARD SPECIFICATIONS:

- Mounting hardware and mounting instructions included with product.
- Note: Plastic anchors, screws, toggle bolts and mounting bracket are included with the mounting hardware.

WARRANTY

- Lifetime Faucet and Finish Limited Warranty to the original consumer purchaser to be free from defects in material and workmanship.
- 5 Year Limited Warranty for usage in all industrial, commercial and business applications.

▲ Designate proper finish suffix



RP70590

Delta reserves the right (1) to make changes in specifications and materials, and (2) to change or discontinue models, both without notice or obligation. Dimensions are for reference only. See current full-line price book or www.brizo.com for finish options and product availability.

BSP-A-694675 Rev. A

Delta Faucet Company
 Indianapolis, Indiana 46280
 A Division of Masco Corporation of Indiana
 © 2012 Masco Corporation of Indiana