

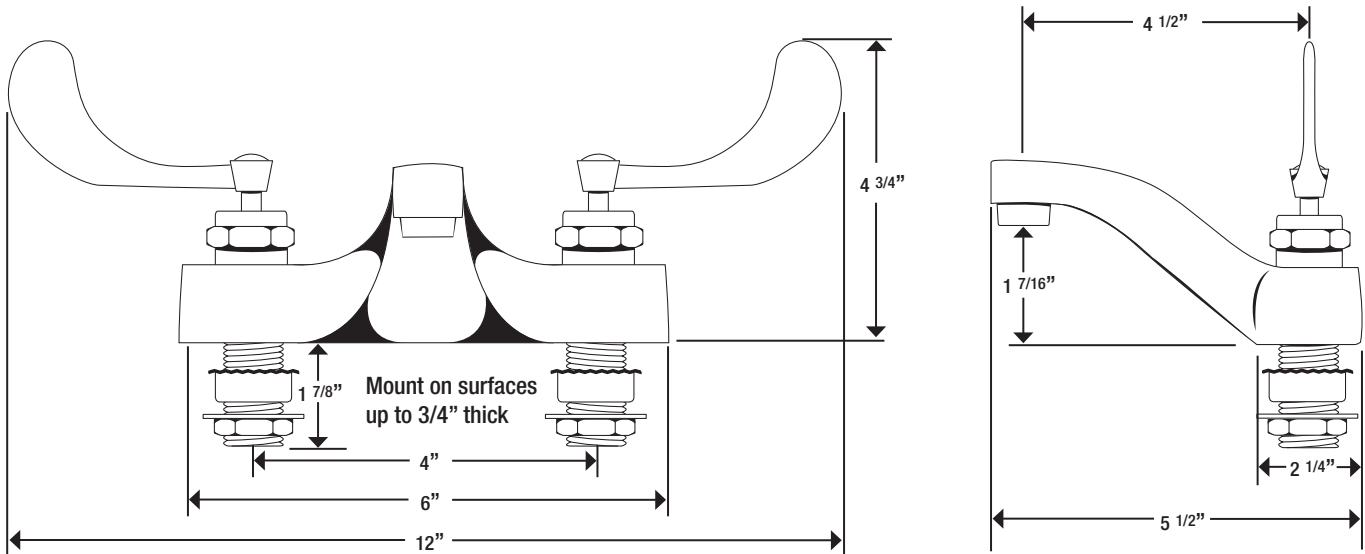
Model: **14-540L** Item #: _____ Date: _____
 Project: _____ Qty: _____ Approved By: _____

Product Image



Standard Features

- Heavy Duty
- 4" Centers
- 1/2 turn Ceramic Cartridge Valves
- Wrist Blade Handles
- Solid Brass Construction
- 0.5 GPM aerator installed (1.5 GPM aerator included)
- Replacement Parts Available



Certified to
NSF/ANSI 61-G



Royal Series Plumbing Wrist Blade Deck Mount Restroom Faucet

Model: **14-540L** Item #: _____ Date: _____

Project: _____ Qty: _____ Approved By: _____

NO.	Item	Model #
1	Wrist Blade Handles Kit	21-311L
2	Hot Cartridge Valve	21-309L
3	Cold Cartridge Valve	21-308L
4	0.2 GPM Aerator	22-590L
	0.5 GPM Aerator	22-620L
	1.0 GPM Aerator	22-621L
	1.5 GPM Aerator	22-625L
	2.2 GPM Aerator	22-628L
5	Faucet Body	14-540L
6	Mounting Kit	21-197

