

# CS017

SMOOTH SMALL ROUND FLAT BOTTOM

## DETAILS

Installation Type: Drop-In or Undermount

Materials: Copper, Stainless Steel, or Brass

Handcrafted Smooth Metal

Standard 3.5" Drain, No Overflow

Dimensions are approximate: OD: 16" x 7", ID: 14"

Each sink is hand-crafted; no two sinks will be the same

NOTE: Due to the handmade nature of the sink variations in the smooth metal may be visible.

## AVAILABLE FINISHES

	<b>SRG</b>	Satin Rose Gold
	<b>PRG</b>	Polished Rose Gold
	<b>SS</b>	Satin Stainless Steel
	<b>PS</b>	Polished Stainless Steel
	<b>UB</b>	Satin Unlacquered Brass
	<b>PB</b>	Polished Unlacquered Brass

## AVAILABLE DRAINS

	<b>D003</b>	Basket Strainer
	<b>D007</b>	Disposal Flange
	<b>D051-D057</b>	Decorative Basket Strainer
	<b>D071-D077</b>	Decorative Disposal Flange

## INSTALLATION

Drain should be installed first. A conversion kit for drain installation is provided with each sink with 1.5" drain opening.

**DROP-IN:** Cut opening large enough for the sink to be "dropped in" to countertop.

**UNDERMOUNT:** Cuts in countertop are up to the discretion of the installer. Clips or other installation method must be provided by the fabricator/installer. Use 100% silicone to adhere sink to countertop. Clean any excess silicone from sink surface to avoid damaging the finish.

## CARE

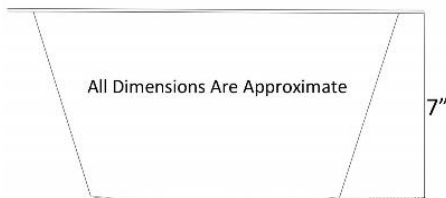
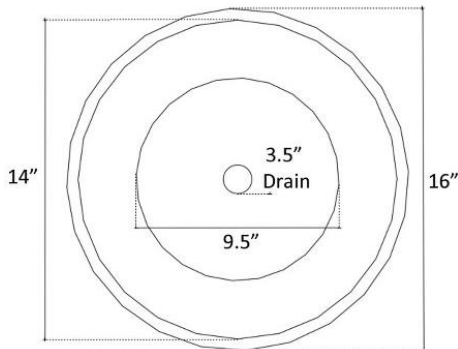
This sink has a living finish which will change with time and use. Use mild soap and water for everyday cleaning. Avoid any harsh abrasives, acidic cleaning products and antibacterial hand soap. A paste wax may be applied periodically to protect the finish and help with water spotting.

## WARRANTY

Linkasink warranties our product to be free from manufacturing defect for the life of the product. Warranty does not cover improper care or abuse/neglect, or changes to the living finish.



Shown in PB



## DIMENSIONS WILL VARY

**DO NOT** use this sheet as a guide for countertop cuts. Due to the handmade nature of each product, templates are not provided.