



Buy it for looks. Buy it for life.®

# Specifications

*There is more than 1 version of this model.  
Page down to identify the version you have.*

## DESCRIPTION

- Metal construction with various finishes identified by suffix

## OPERATION

- Mini blade style handles with hot and cold color indicators
- Inlet shanks will accept 3/8" ball nose connections

## FLOW

- Spout flow is limited to 1.5 gpm (5.7 L/min) at 60 psi

## CARTRIDGE

- 1224 cartridge design

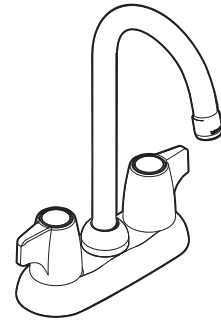
## STANDARDS

- Third party certified to IAPMO Green, ASME A112.18.1/CSA B125.1 and all applicable requirements referenced therein including NSF 61/9
- Contains no more than 0.25% weighted average lead content
- Complies with California Proposition 65 and with the Federal Safe Drinking Water Act

- ADA  for lever handle

## WARRANTY

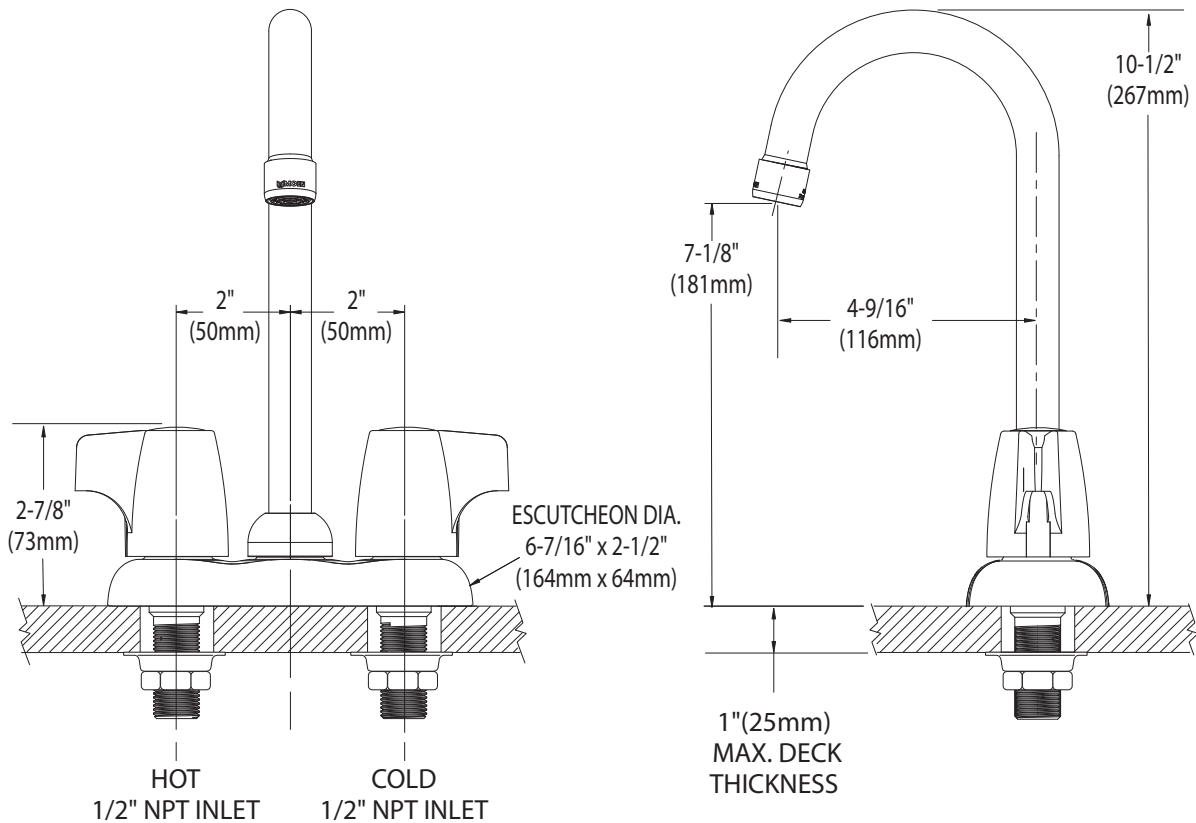
- Lifetime limited warranty against leaks, drips and finish defects



**MOEN®**  
**Two-Handle Bar Faucet**

**Models:** 4903 series

**NOTE:** Designed to be installed through  
2 - 1" min. dia. holes 4" on center



## CRITICAL DIMENSIONS

(DO NOT SCALE)



Buy it for looks. Buy it for life.®

# Specifications

## DESCRIPTION

- Chrome plated metal construction

## OPERATION

- Small lever style

## FLOW

- Aerator is limited to 2.0 gpm (7.6 L/m)

## CARTRIDGE

- 1224 cartridge design

## STANDARDS

- Third party certified by CSA to meet CSA B-125, ASME A112.18.1M and all applicable requirements referenced therein and complies with the applicable requirements of ANSI A117.1
- Certified to ANSI/NSF 61/9
- Complies with California Proposition 65 and with the Federal Safe Drinking Water Act

## WARRANTY1

- Lifetime limited warranty against leaks, drips and finish defects



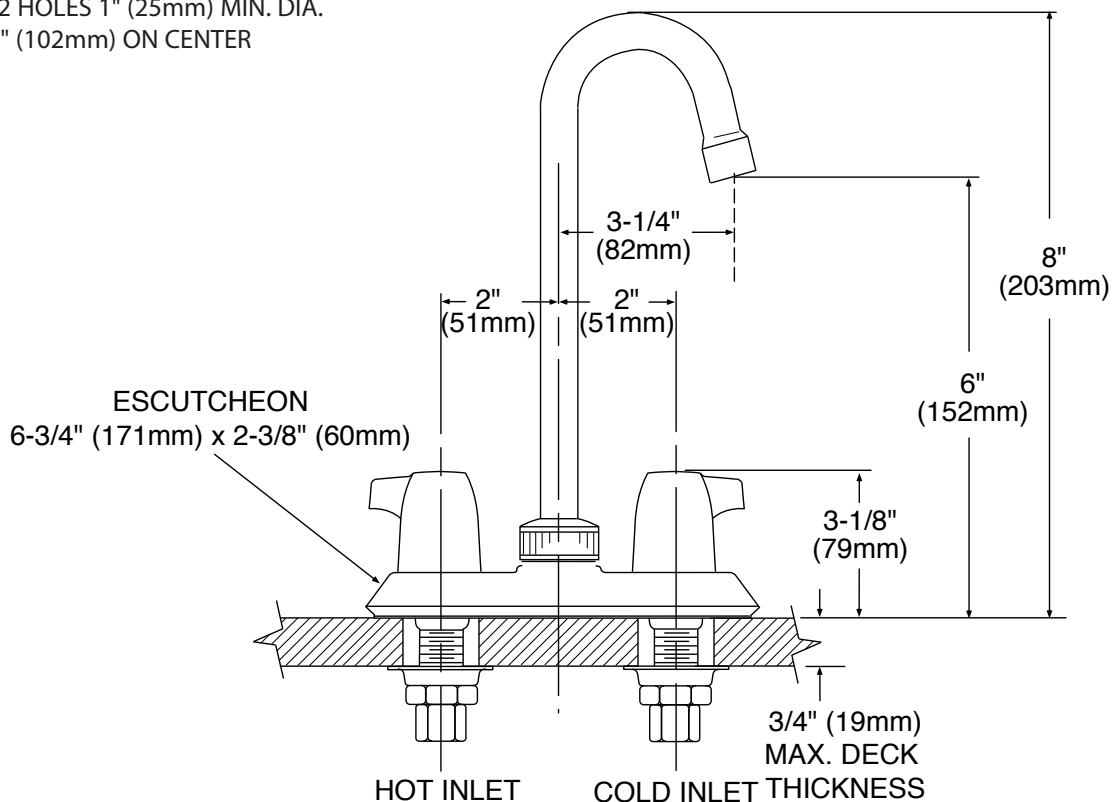
**MOEN®  
Two Handle Bar Faucet**

**Model:** 4903, \*87903

**Bulk Model:** \*64904  
**(Bulk packed 12 per carton)**

**\*64904, 87903 Discontinued 2/1/2004**

**NOTE:** DESIGNED TO INSTALL  
THRU 2 HOLES 1" (25mm) MIN. DIA.  
AND 4" (102mm) ON CENTER



## CRITICAL DIMENSIONS

(DO NOT SCALE)

**FOR MORE INFORMATION CALL: 1-800-BUY-MOEN**

**www.moen.com**