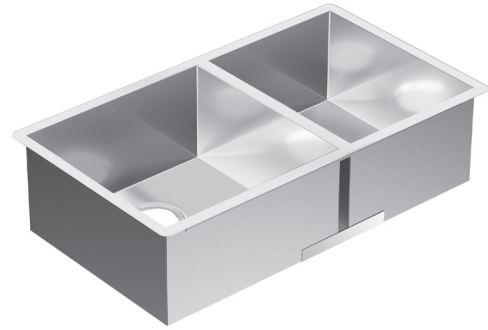




Buy it for looks. Buy it for life.®

# Specifications

Model Number	Faucet Holes	Depth-Inches	Drain Placement
G18287	N/A	8-1/2"	Rear (Center)



### SINK DESCRIPTION

- 1800 Series double bowl undermount sink
- 18 gauge stainless steel, brushed finish
- Mounting brackets included, no other hardware included
- SoundSHIELD™ sound absorbing system

### WARRANTY

- Lifetime limited warranty to the original homeowner
- 10 year limited warranty when used in a Multi-family installation
- 5 year limited warranty when used in a Commercial installation
- Visit [www.moen.com/customer-support/warranty](http://www.moen.com/customer-support/warranty) for complete details and limitations

### SINK DIMENSIONS

- Overall: 31-1/2" x 18"
- Left Bowl: 16" x 16"
- Right Bowl: 12-1/2" x 16"
- Drain Size: 3-1/2"

### CUT OUT DIMENSIONS

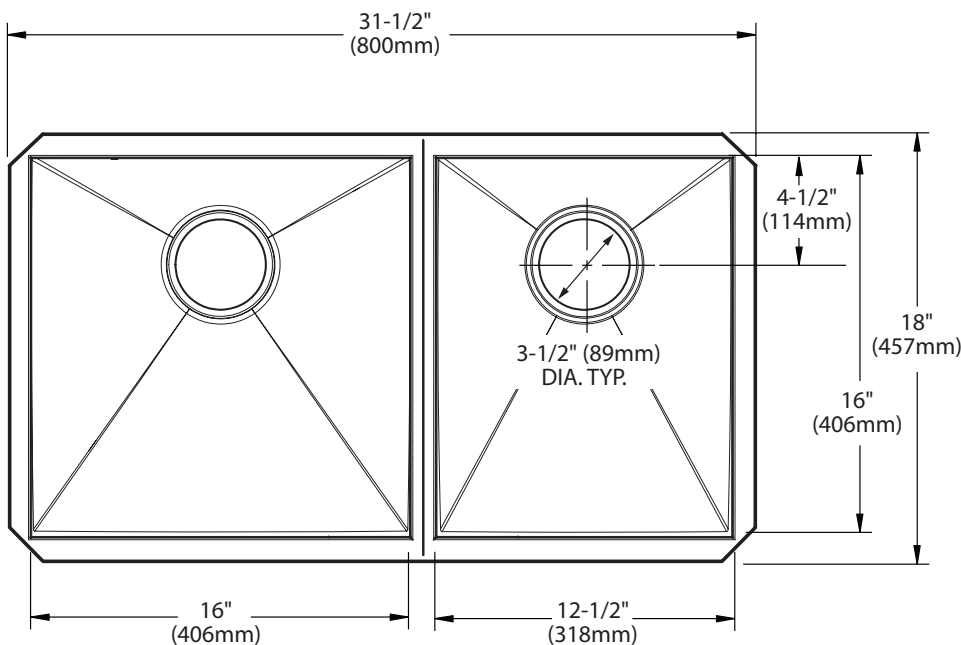
- Cut out template included
- Template ordering number 22517

### STANDARDS

- Third party certified to meet ASME A112.19.3/CSA B45.4 and all applicable specifications referenced therein

## CRITICAL DIMENSIONS

(DO NOT SCALE)



### Installation Detail

