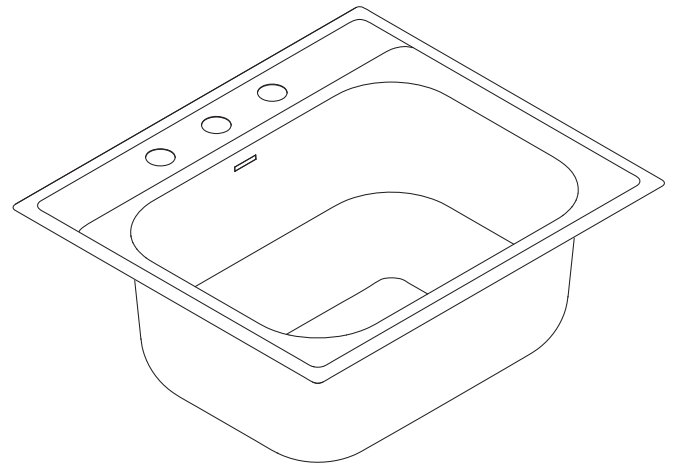


Model Number	Faucet Holes	Depth-Inches	Drain Placement
GS181953Q <i>(pictured)</i>	3	10"	Center
GS181954Q	4	10"	Center



### SINK DESCRIPTION

- 1800 Series single bowl drop in sink
- 18 gauge stainless steel, brushed finish
- U-channel mounting system
- QuickMount™ installation hardware included
- SoundSHIELD™ sound absorbing system

### WARRANTY

- Lifetime limited warranty to the original homeowner
- 10 year limited warranty when used in a Multi-family installation
- 5 year limited warranty when used in a Commercial installation
- Visit [www.moen.com/customer-support/warranty](http://www.moen.com/customer-support/warranty) for complete details and limitations

### SINK DIMENSIONS

- Overall: 25" x 22"
- Bowl: 21" x 15-3/4"
- Drain Size: 3-5/8"

### CUT OUT DIMENSIONS

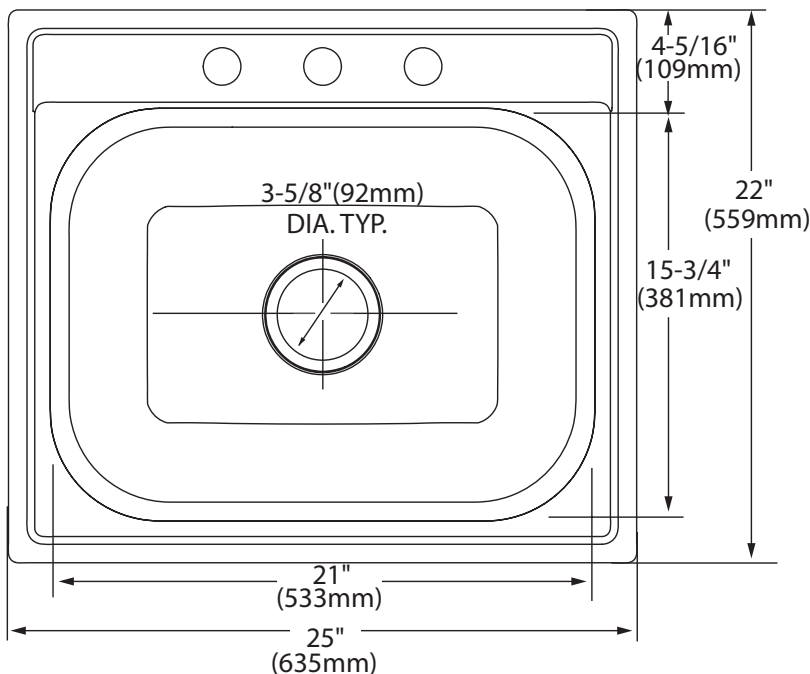
- 24-3/8" x 21-3/8" with 1-1/2" corner radius. Tolerance of plus or minus 1/16" is acceptable

### STANDARDS

- Third party certified to meet ASME A112.19.3/CSA B45.4 and all applicable specifications referenced therein

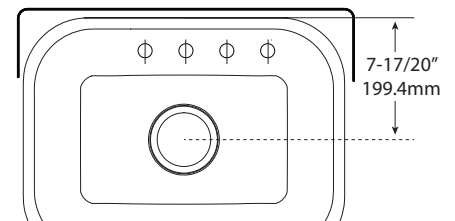
## CRITICAL DIMENSIONS

(DO NOT SCALE)

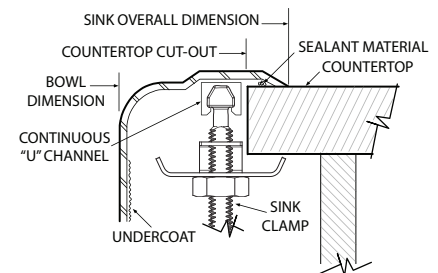


## Faucet Hole Configurations

1-1/2" (38mm) diameter faucet holes  
4" (102mm) center



## Installation Detail



MADE IN THE **USA**