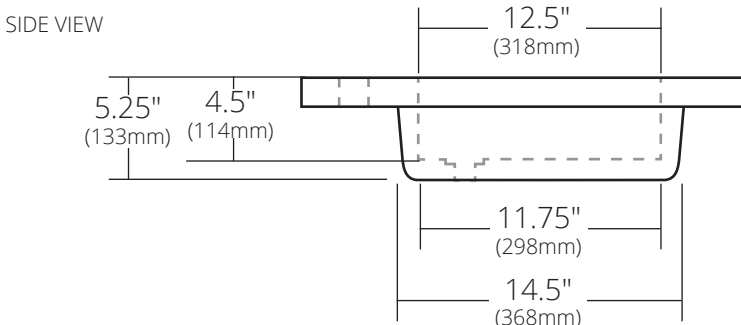
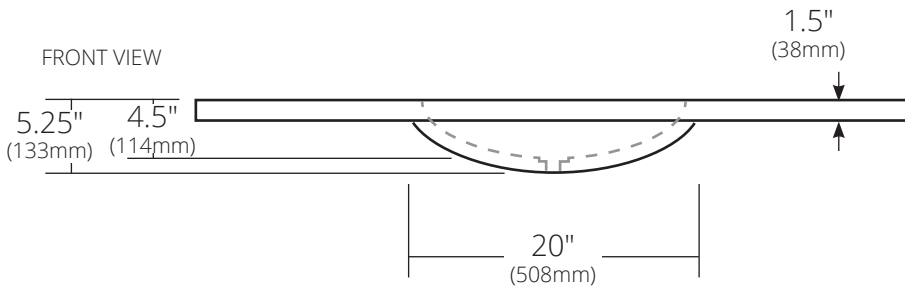
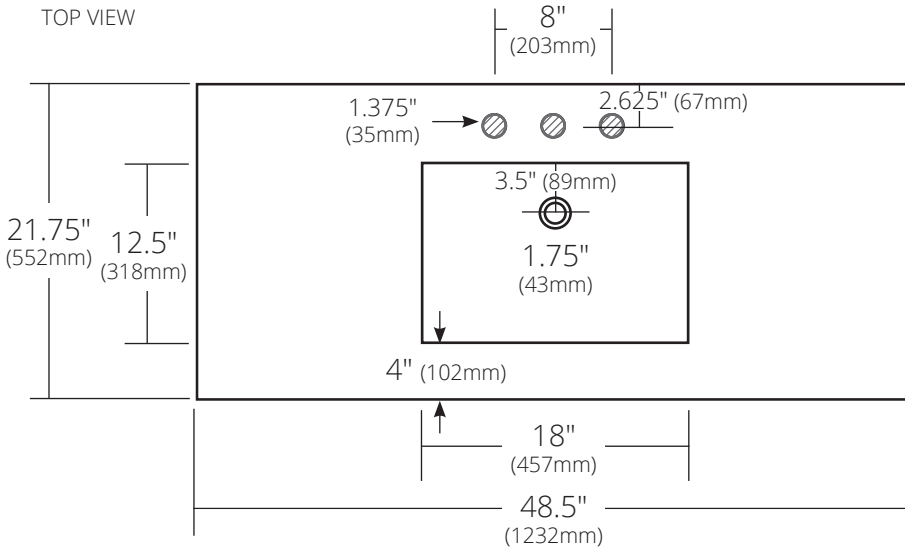


SPECIFICATIONS

**48" PALOMAR VANITY TOP WITH INTEGRAL SINK**

NativeStone® Collection



- |   |  |
|---|--|
| <ul style="list-style-type: none"> <li>● <b>8" Faucet Spread</b></li> <li>NSVNT48-A Ash</li> <li>NSVNT48-C Charcoal</li> <li>NSVNT48-E Earth</li> <li>NSVNT48-P Pearl</li> <li>NSVNT48-S Slate</li> </ul> | <ul style="list-style-type: none"> <li>● <b>Single Faucet Hole</b></li> <li>NSVNT48-A1 Ash</li> <li>NSVNT48-C1 Charcoal</li> <li>NSVNT48-E1 Earth</li> <li>NSVNT48-P1 Pearl</li> <li>NSVNT48-S1 Slate</li> </ul> |
|---|--|

**PRODUCT DETAILS**

- 48.5" x 21.75" x 5.25" OD (1232mm x 552mm x 133mm)
- Basin 18" x 12.5" x 4.5" (457mm x 318mm x 114mm)
- 1.75" (43mm) drain opening
- Pre-drilled for 8" (203mm) faucet spread or single faucet hole
- Handcrafted from sustainable NativeStone
- Sealed with NativeStone Shield™

**COORDINATING PRODUCTS**

- Drains: DR120, DR130 or DR150

**STANDARDS COMPLIANCE**

- UPC/cUPC compliant
- **ADA COMPLIANT**

**IMPORTANT**

DO NOT use tape or other adhesives on NativeStone as it may remove the sealer.

Due to the handcrafted nature of this product, it will vary in finish, texture, and other details. Dimensions may vary up to ¼" (6mm).