

Walk In Tub

OH 5335 Easy Access Out Swing Door



GENERAL SPECIFICATIONS

Dimensions53"×35"×39 1/4"
 Weight220 lbs.
 Unoccupied capacity110 gallons

Features:

PVC Drain

- Size - 2"
- Horizontal or Vertical

Door

- Opening Width - 32"
- Door Opening Clearance Height - 20-1/2"
- Patented Door System Technology
- Aluminum Door and Frame

Acrylic Shell

- 30" Wide Seat
- White or Biscuit Textured Acrylic
- Non-skid Floor
- ADA Height Seat
- Acrylic Surface with Fiberglass Substrate
- Two Grab Bars
- Stainless Steel Frame

Options

- Left or Right Hand Drain
- Dual Air and Water Jetting System
- Water Jetting System
- Air Jetting System
- Loaded Jetted Package

Accessories

- Tub Extension Panel Kit
- Back Wall Extension Panel Kit
- End Panel Kit
- Shower Wall Kit

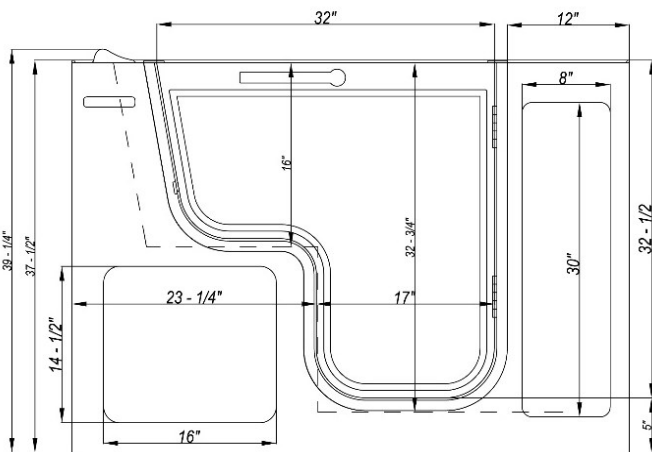
Compliance Certifications - Meets or Exceeds the Following Specifications:

- cETL - Intertek
- cUPC / USPC - IAPMO
- ANSI Z 124.1.2 - for Plastic Bathtubs
- ASME A 112.19.7 - Whirlpool Appliances
- ASME A 122.19.15 - for Walk In Bathtubs
- CSA B45.4 - Canadian Plumbing Fixtures

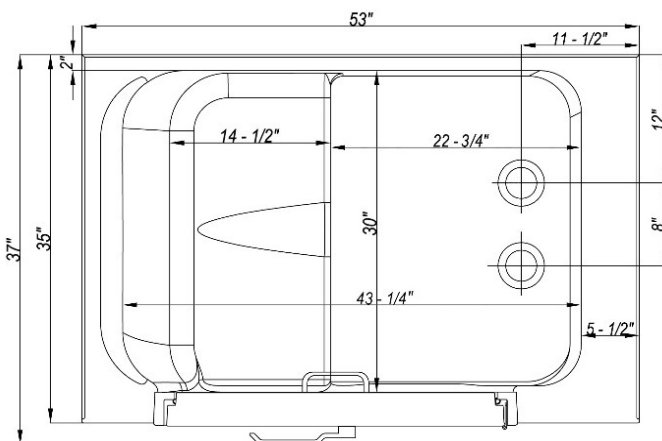
MAX. FUSE AMPS OR MAX. CIRCUIT BREAKER 20 AMPS



Right Hand Shown



Front View



Top View

In an effort to continually improve our product, specifications and configurations are subject to change without notice.

Before ordering or installing, consider future access to essential equipment.