

Luminist™ Round Vessel Lavatory

FEATURES

- Epoxy resin luminist vessel lavatory
- Luminist is a semi-clear epoxy resin that displays exceptional strength and is highly scratch and impact resistant
- Without overflow
- Complete with installation template, hardware and chrome drain fitting

COLORS/FINISHES

- #61 Frosted White

CODES/STANDARDS

- Meets or exceeds ANSI Z124.3, CSA B45 series
- Certifications: IAPMO(cUPC), State of Massachusetts, City of Los Angeles, and others
- Code compliance: UPC, IPC, NSPC, NPC Canada, and others
- ADA Compliant



Recommended faucets:

Helix Ecopower wall mount

TEL3GW10#CP

TEL3GW60#CP

TEL5GW10#CP

TEL5GW60#CP

PRODUCT SPECIFICATION

The epoxy resin luminist round vessel lavatory shall be without overflow. Vessel lavatory shall include complete installation template, hardware and chrome drain fitting. Vessel lavatory shall be TOTO Model LLT150____.

LLT150

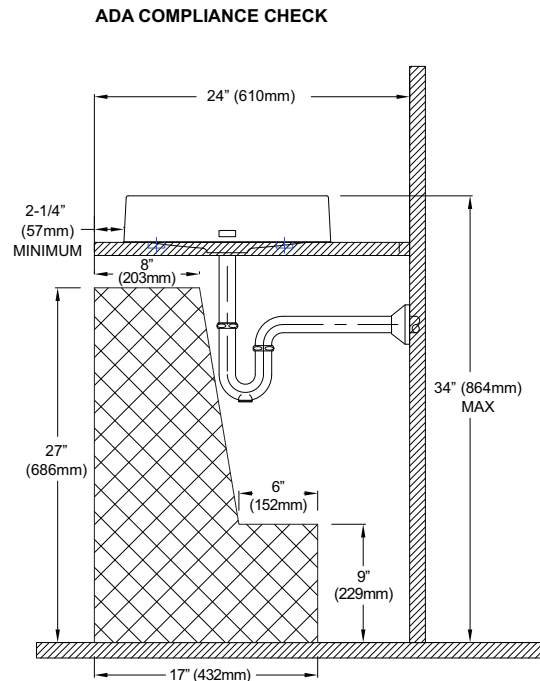
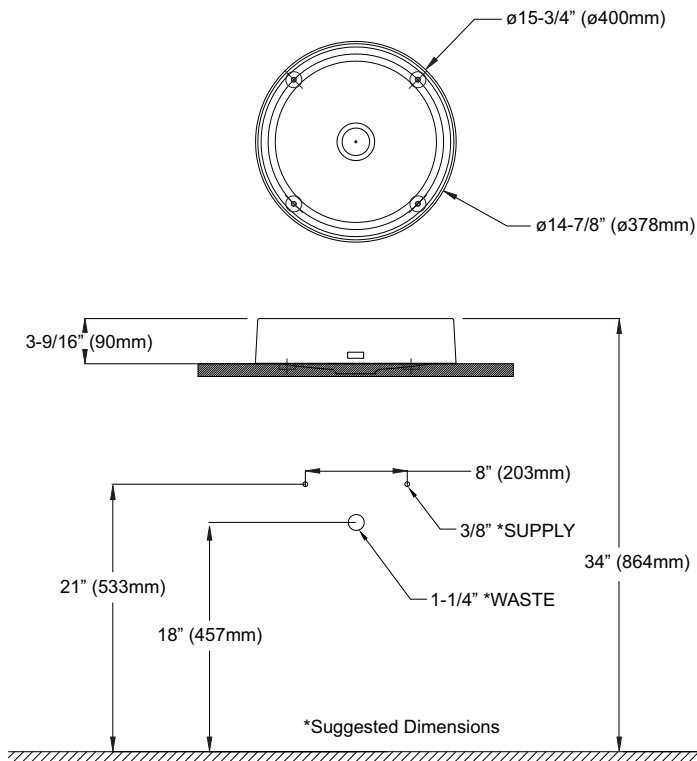
Luminist™ Round Vessel Lavatory

SPECIFICATIONS

- Waste 1-1/4" O.D.
- Size 15-3/4" D
- Basin 14-7/8" D
- Warranty One Year Limited Warranty
- Material Epoxy Resin
- Shipping Weight 12.0 lbs.
- Shipping Dimensions 17-9/16" W x 7-3/16" H x 22-3/8" L

INSTALLATION NOTES

TOTO recommends you to install this lavatory rim at 864mm (34") height from finished floor and 2-1/4" (57mm) minimum from the front edge of the counter-top. These dimensions and specifications are subject to change without notice.



TOTO®

These dimensions and specifications are subject to change without notice