

Kiwami® Oval Vessel Lavatory

FEATURES

- 23-5/8"W x 16-9/16"D x 3-9/16"H
- CEFIONTECT® ceramic glaze minimizes debris and mold from sticking to surface
- Crafted with LINEARCERAM®— a durable material for an ultra sleek and modern design
- Decorative drain cover
- Complete with installation template
- ADA compliant
- Without overflow requires grid drain



MODELS

- LT474G#01



COLORS/FINISHES

- #01 Cotton

PRODUCT SPECIFICATION

This vessel lavatory shall be made with LINEARCERAM. Lavatory shall be ADA compliant. Lavatory shall be TOTO Model LT474G.

CODES/STANDARDS

- Meets ADA guidelines and ANSI A117.1 requirements when top of lavatory rim is installed 864mm (34") from finished floor and lavatory is installed 52mm (2-1/16") minimum from front edge
- Meets and exceeds ASME A112.19.2/CSA B45.1
- Certifications: IAPMO(cUPC), State of Massachusetts, City of Los Angeles, and others
- Code compliance: UPC, IPC, NSPC, NPC Canada, and others



LT474G

Kiwami® Oval Vessel Lavatory

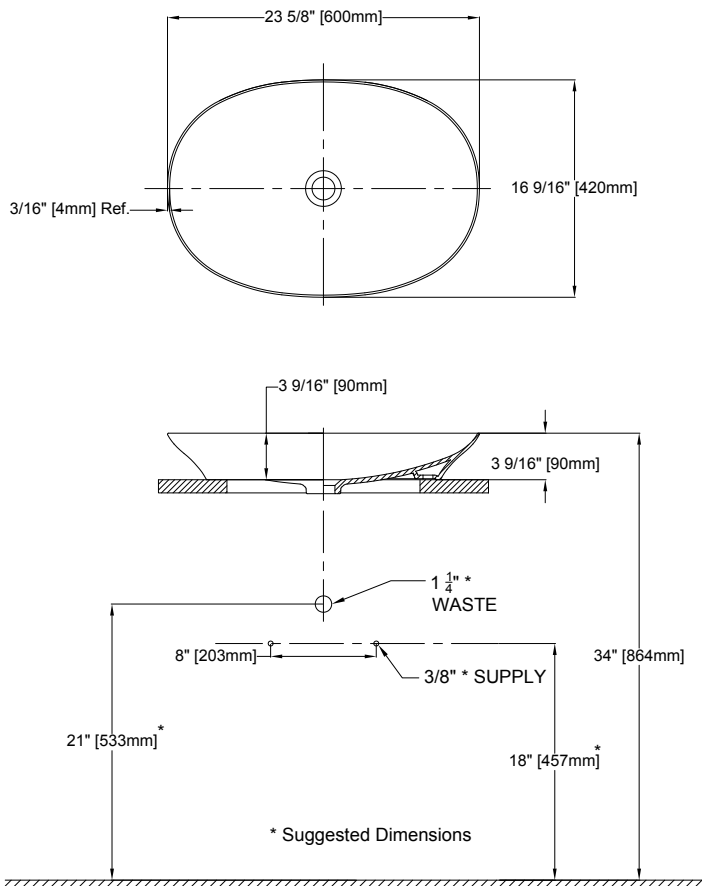
SPECIFICATIONS

Waste	1-1/4"
Size	23-5/8"W x 16-9/16"D x 3-9/16"H
Basin	23-5/16"W x 16-1/4"D
Basin Depth	3-1/8"
Warranty	One Year Limited Warranty
Material	LINEARCERAM®
Shipping Weight	21 lbs
Shipping Dimensions	25" x 17-7/8" x 8-3/4"

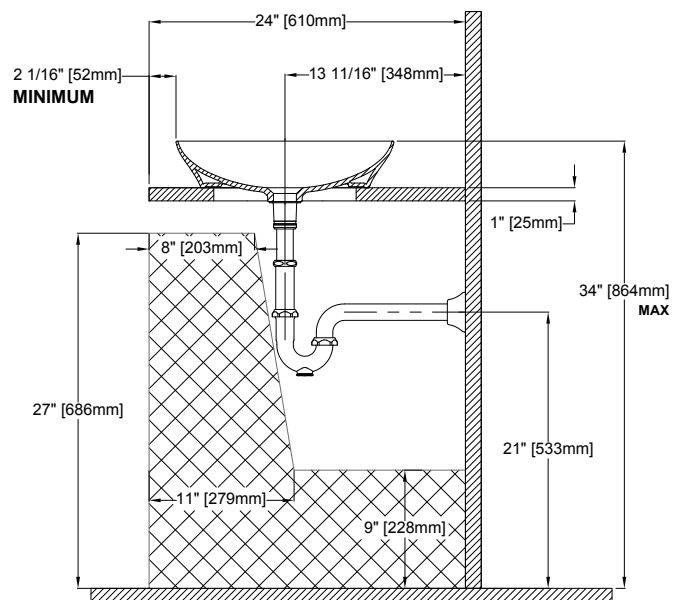
INSTALLATION NOTES

Use with Included Grid Drain Assembly Only. The recommended faucet height from deck to spout is 8-5/16" (211mm) and below. Aim water supply away from the drain cover.

DIMENSIONS



ADA COMPLIANCE



TOTO®

These dimensions and specifications are subject to change without notice